

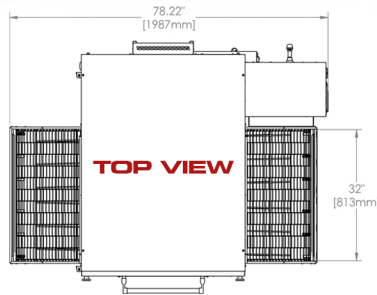
XLT[®]

SmartSolutions™

3240

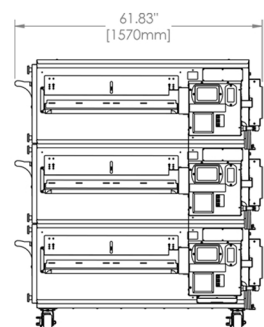
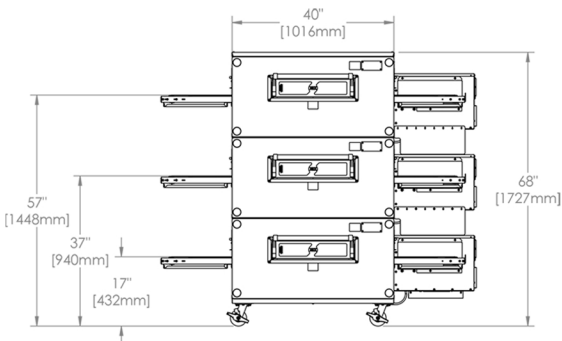
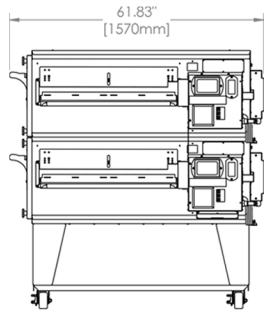
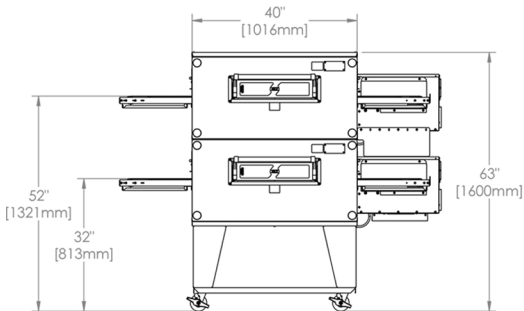
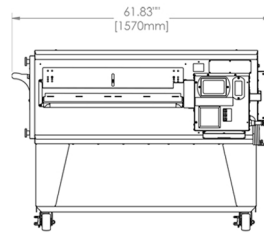
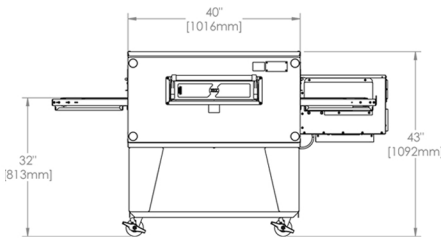
H-version Oven

32" WIDE CONVEYOR
40" LONG BAKE CHAMBER
GAS & ELECTRIC



FRONT VIEWS

SIDE VIEWS



GAS OVEN

HEATING VALUES

STANDARD
BTU/Hr: 125,000

WORLD
Natural: 36.60 Kw/Hr
131.76 Mj/Hr
Propane: 36.60 Kw/Hr
131.76 Mj/Hr
Butane: 39.50 Kw/Hr

ELECTRICAL REQUIREMENT

STANDARD
120 VAC, 4.8 Amps
50/60 Hz

WORLD
220/230/240 VAC Option
3 Amps, 50/60 Hz

INLET PRESSURE RANGE

NATURAL GAS

W/C: 6 - 14
mbar: 15 - 35
kPa: 1.50 - 3.50
kPa (Korea): 1.50 - 2.50

PROPANE GAS

W/C: 11.5 - 14
mbar: 27.5 - 35
kPa: 2.75 - 3.50
kPa (Korea): 2.30 - 3.30

MANIFOLD PRESSURE RANGE

NATURAL GAS

W/C: 3.5
mbar: 8.75
kPa: 0.875

PROPANE GAS

W/C: 10
mbar: 25
kPa: 2.50

WEIGHT

Single: 818 lbs / 371 kg
Double: 1483 lbs / 673 kg
Triple: 2109 lbs / 957 kg

ELECTRIC OVEN

ELECTRICAL REQUIREMENT

STANDARD
208/240 VAC
82/65 Amps, 60 Hz
4 Wire Service -
L1, L2, L3
+ 1 Ground (per oven)
3 Phase, 27 Kw

WORLD
380/415 VAC
51/44 Amps, 50 Hz
5 Wire Service -
L1, L2, L3
N + 2 Grounds (per oven)
3 Phase, 27/31 Kw

WEIGHT

Single: 843 lbs / 382 kg
Double: 1533 lbs / 695 kg
Triple: 2185 lbs / 991 kg

*A MINIMUM OF A 1½" GAS SUPPLY LINE IS REQUIRED. THE GAS LINE MUST BE PLACED TO THE SIDE OF THE OVEN AND CANNOT BE BEHIND THE CONTROL BOX.

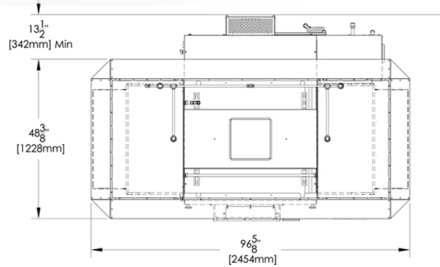
XLT[®]

SmartSolutions™

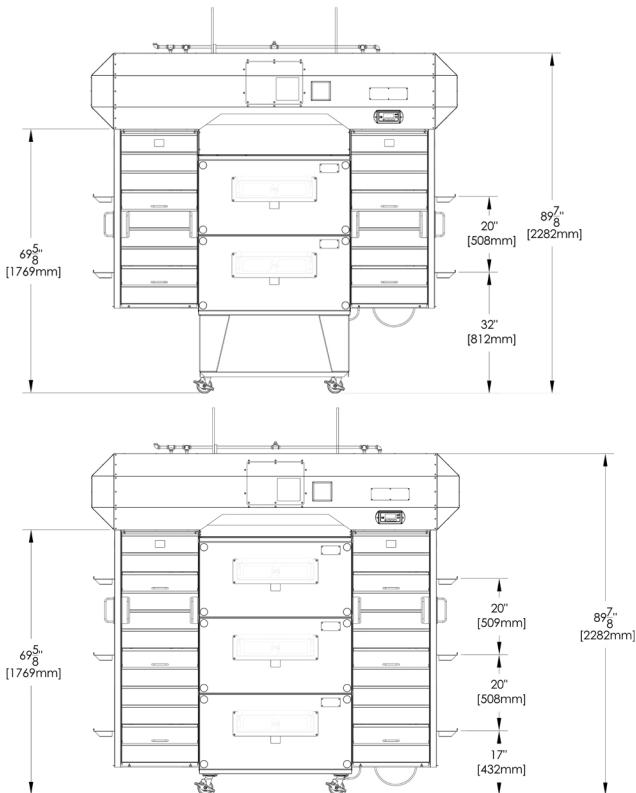
3240 E-version Hood



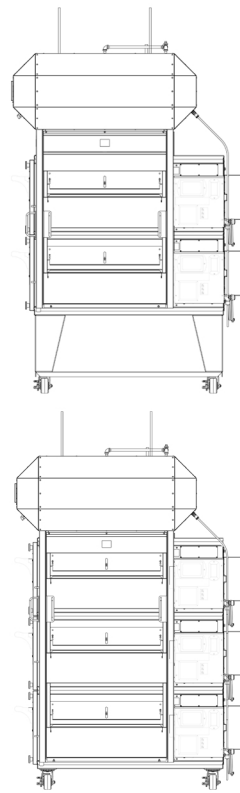
TOP VIEW



FRONT VIEWS



SIDE VIEWS



XLT HOOD ELECTRIC UTILITY SPECIFICATIONS

INPUTS INTO ELECTRICAL

STANDARD

For VFD Controller :

208/240 VAC, 1 Phase, 60 Hz, 3 Amp

For Lights:

120 VAC, 1 Phase, 60 Hz, 1 Amp

WORLD

For VFD Controller :

230 VAC, 1 Phase, 50 Hz, 3 Amp

For Lights:

230 VAC, 1 Phase, 50 Hz, 1 Amp

* Do not connect to 3 phase power.
1 phase only.

OUTPUT FROM ELECTRICAL

THE XLT HOOD SYSTEM PROVIDES:

Up to three (3) switching outputs for HVAC damper and/or dedicated unit.

One (1) 230 VAC, 10 Amp, variable frequency, three phase power output for the ventilation exhaust fan.

Up to three (3) receptacles for ovens.

One (1) 24 VDC fire alarm signal.

Relocation cord will physically connect into oven.

WEIGHT

Single: 685 lbs / 311 kg

Double: 640 lbs / 290 kg

Triple: 660 lbs / 299 kg

OVEN & HOOD WARRANTY

USA & CANADA (Parts & Labor)

7 YEARS | STANDARD

10 YEARS | OVEN & HOOD COMBO PURCHASE*

*Pre-piped ANSUL system must be purchased on each oven and hood

INTERNATIONAL (Parts & Labor)

5 YEARS | STANDARD

7 YEARS | OVEN & HOOD COMBO PURCHASE

WWW.XLTOVENS.COM

24/7/365 LIVE TECHNICAL SUPPORT

(316) 943-2751

service@xltovens.com



sales@xltovens.com