



## **Flat Bottom Fryer**

*Flexible - Pick your size, pick your lineup.*

*Easy To Use - Fast, simple two step oil filtration system.*



Two FBG24x24 fryers with self contained oil filtration system.



# **The**

## ***FBG24x24 Fryer***

### ***Flat Bottom Fryer***

- ✓ Modular design allows for mix and match of 24" or 18" fryers
- ✓ Available in 24" or 18" widths
- ✓ Footprint fits most existing store layouts.
- ✓ Stainless steel front, door and sides - no paint
- ✓ Large 9" casters for easy movement and cleanup.
- ✓ Matchless ignition, lights once a day for less wear and tear on ignition components
- ✓ Evenly dispersed heating of the tank eliminating the need for fins baffles or blowers



# ***The Filter System***

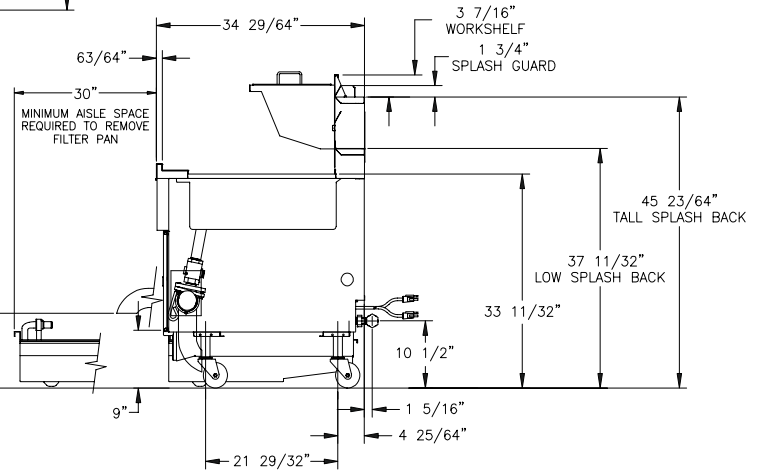
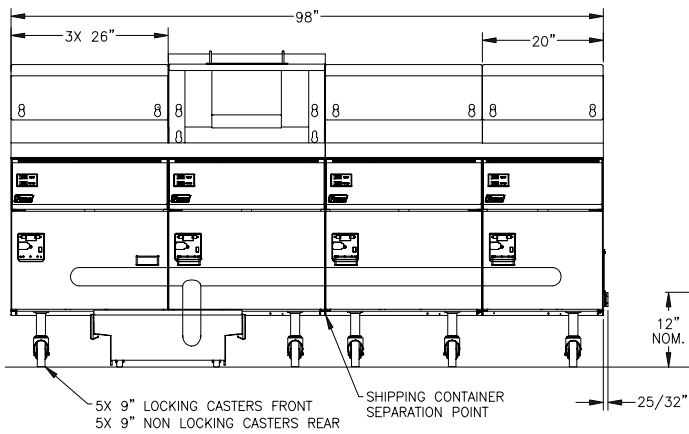
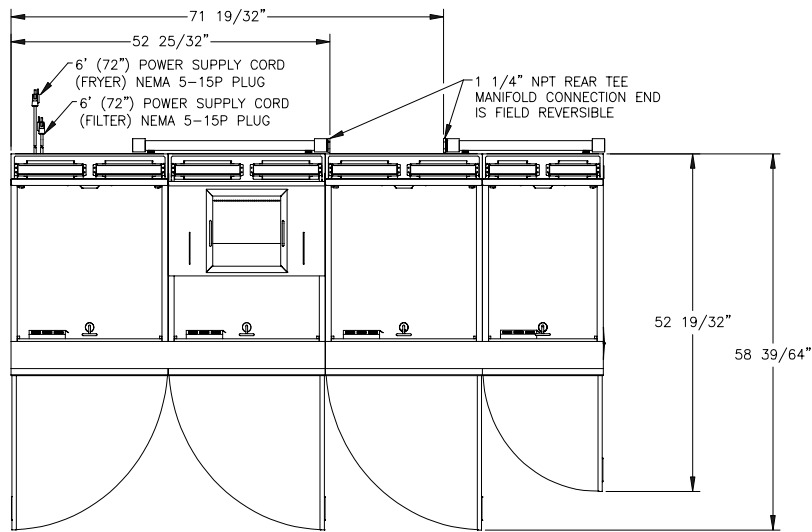
## ***Smart, Simple and Easy to Use***

- ✓ High capacity oil pump for fast shortening return (8 gallons per minute)
- ✓ Extra large 3" drain lines for dependable, clog free drainage.
- ✓ Drain valve interlock to ensure burner will not ignite while drain is open.
- ✓ Metal mesh filter screen to filter oil.





## Flat Bottom Fryer



L12-103 Rev 0 (05/05)